

PRODUCT SPECIFICATION

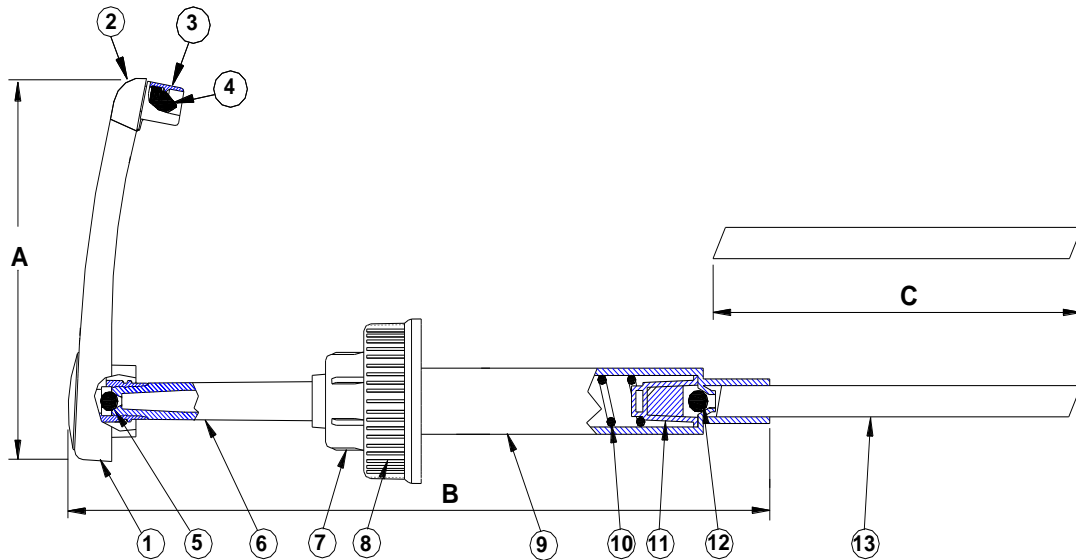
PRODUCT NAME:
RS-10, BCA, 5ML, TAPA38-400
TUBO 195MM

ITEM:
Item Rieke: 720000009

COMPONENTS:
1. SPOUT HEAD WHITE
2. SPOUT TIP WHITE
3. RETAINER WHITE
4. NOZZLE ANTI-DRIP
5. BALL
6. PLUNGER WHITE
7. COLLAR WHITE
8. CLOSURE 38MM/400 WHITE
9. BODY 38MM NATURAL
10. SPRING
11. PLUNGER PLUG NATURAL
12. BALL
13. SUCTION TUBE NATURAL

MATERIAL:
POLYPROPYLENE
POLYPROPYLENE
POLYPROPYLENE
EPDM RUBBER BLACK
GLASS
HDPE
POLYPROPYLENE
POLYPROPYLENE
POLYPROPYLENE
STAINLESS STEEL TYPE 302
POLYPROPYLENE
GLASS
HDPE / LDPE

PRODUCT DRAWING:



DIMENSIONS:

- TOTAL HEIGHT (REF): (A) 99.0 mm (3.898")	- SUCTION TUBE, DIMENSION : (C) 195.0 mm ± 1.6 (7.678" ± 0.063)
- DIMENSION (REF): (B) 180.0 mm (7.087")	

PRODUCT TECHNICAL INFORMATION:

COLOR:	WEIGHT (REF. ONLY): 34.0g.
- WHITE, BODY AND SUCTION PIPE NATURAL	
DOSIFICACIÓN:	PACKING UNIT/BOX:
- 5 ML ± 10 %.	- 250 PCS, WITH POLYETHYLENE BAG.
TAPA:	DIMENSIONS OF BOX
- 38/400 ASSEMBLED	- (L x W x H): 51.0 x 36.4 x 48.0 cm
SUCTION PIPE:	WEIGHT OD PACKING UNIT (REF. ONLY): 10.2 kg.
- NATURAL, ASSEMBLED	
195MM ± 1.6MM	

MADE BY	APPROVED BY	EMISSION DATE
JESUS GARCIA (Engineering)	ROBERTO CASTILLO (Engineering Manager)	04/28/2020

UPDATE	DATE	UPDATE BY
00	00/00/00	-----